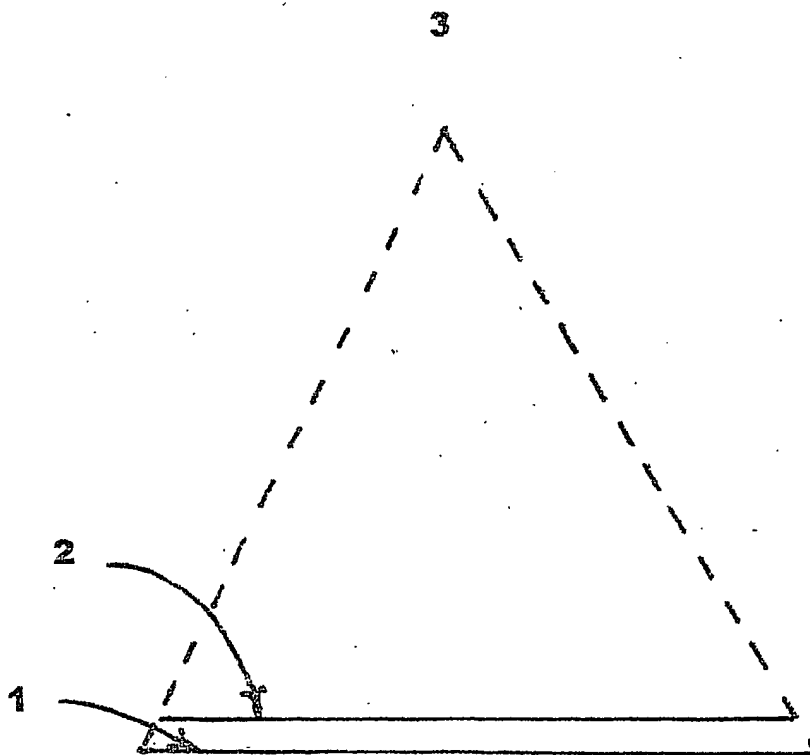


1/15

Figure 1



BEST AVAILABLE COPY

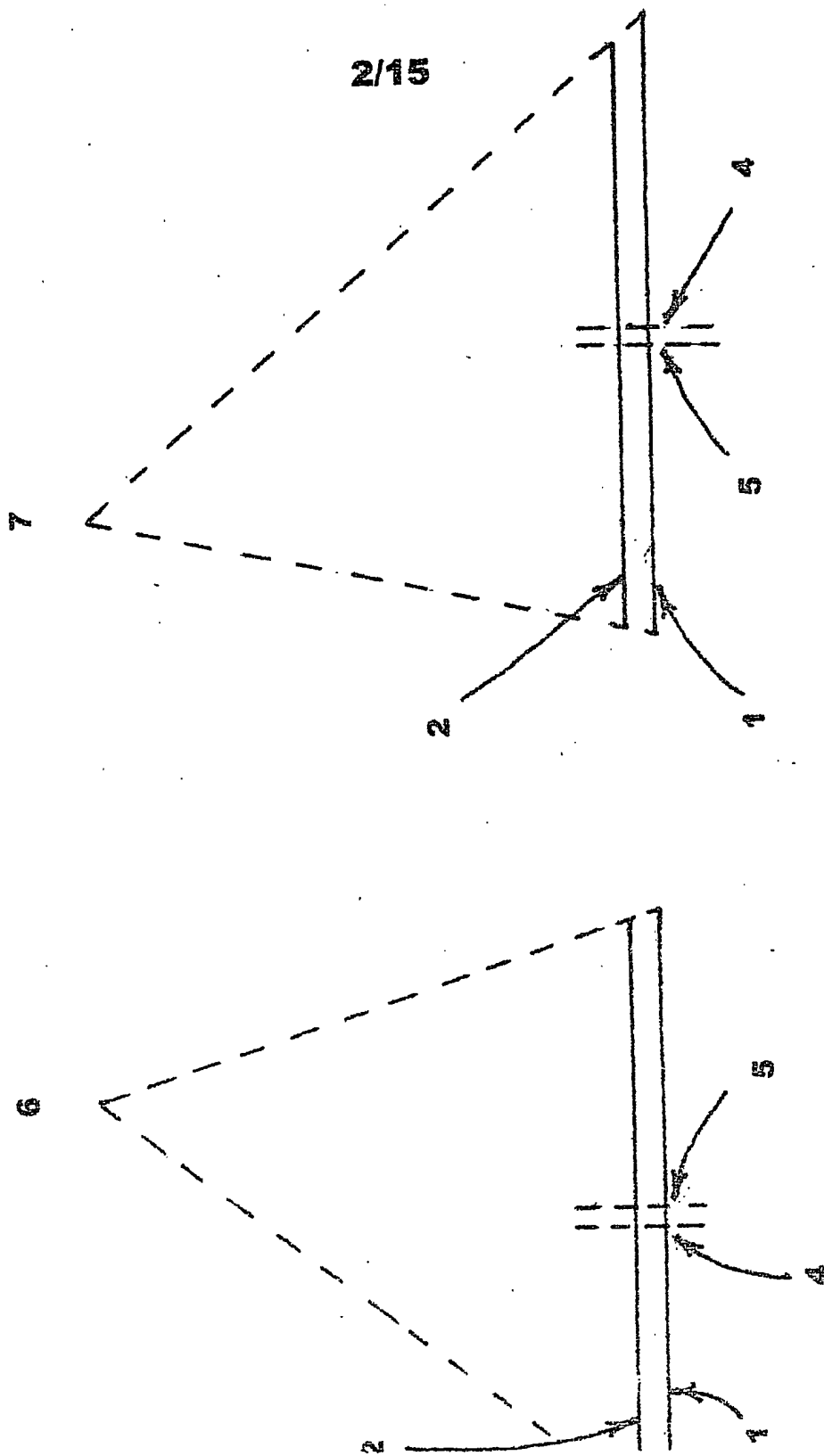


Figure 2

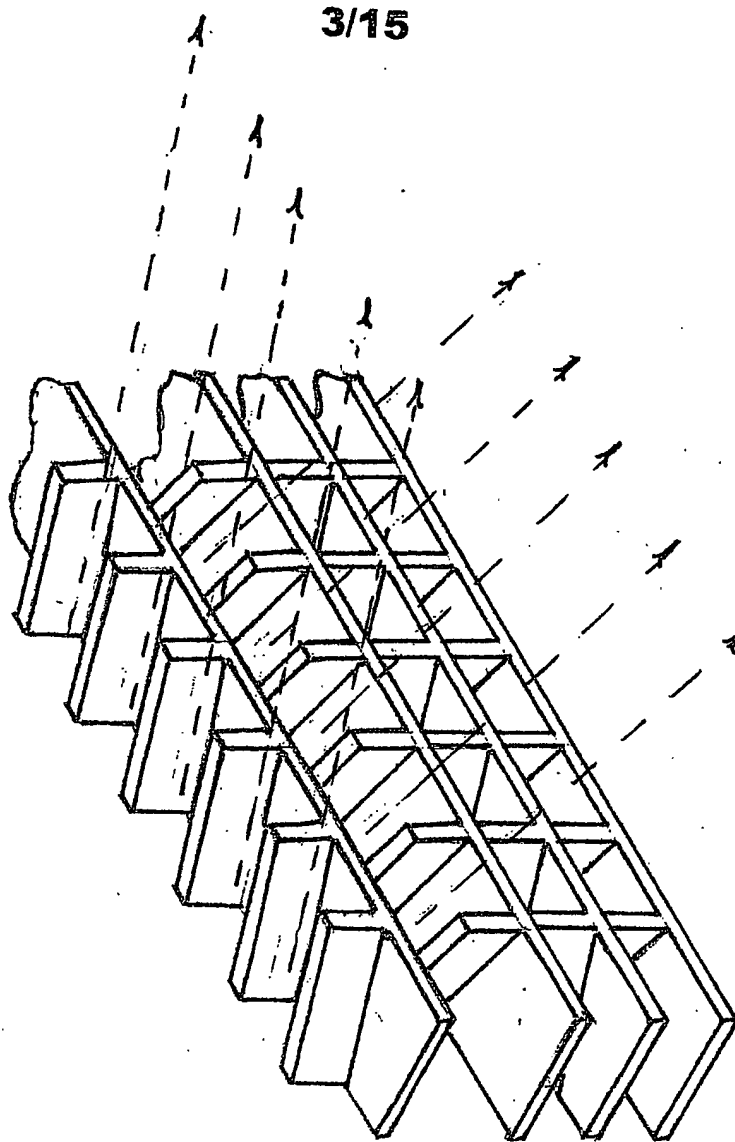


Figure 3

Blakely, Sokoloff, Taylor & Zafman LLP

(310) 207-3800

Title: STEREOSCOPIC IMAGING DEVICE AND MEANS FOR CONSTRUCTION THEREOF

1st Named Inventor: Christopher Martin DAWE

WO 2005/018240

Express Mail No.: EV665829932US

Docket No.: 5926P046

PCT/GB2004/003369

Sheet: 4/15

4/15

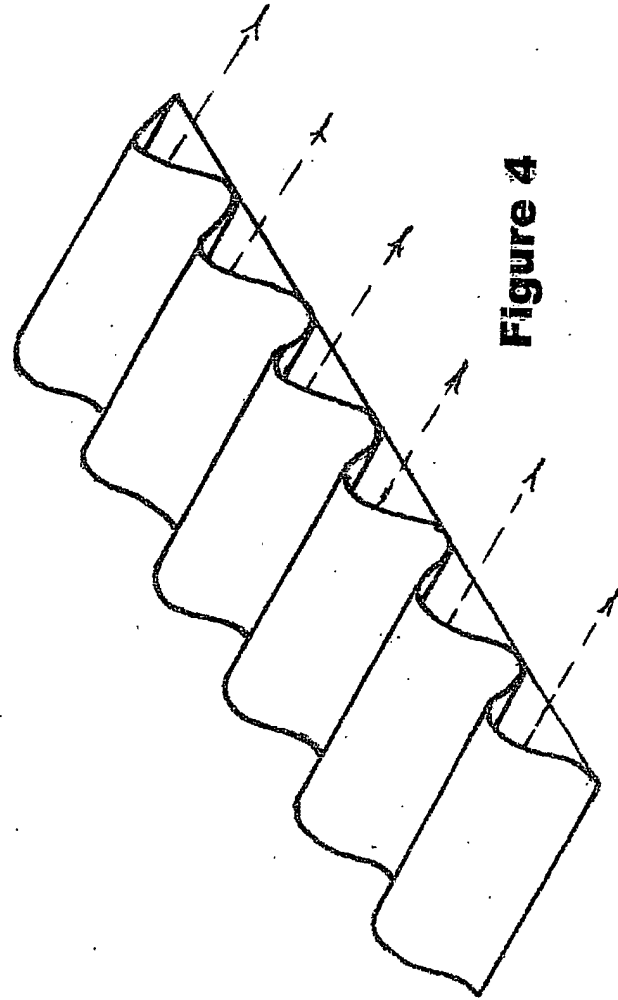


Figure 4

5/15

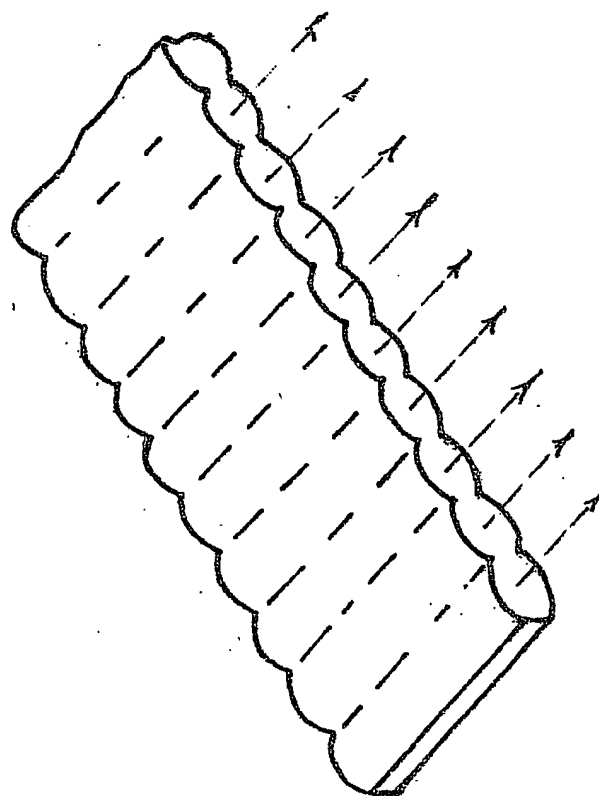


Figure 5

6/15

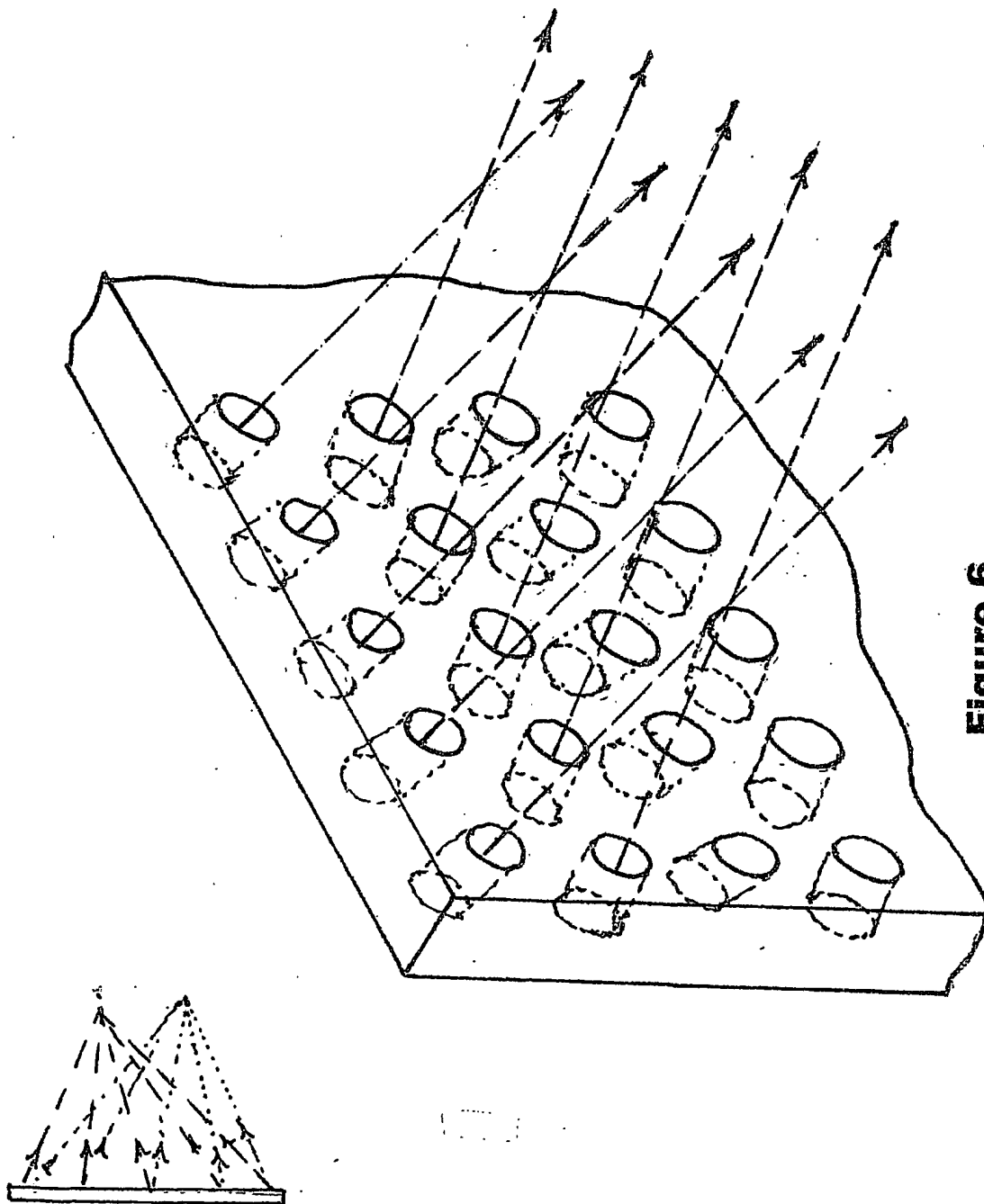


Figure 6

7/15

Figure 7

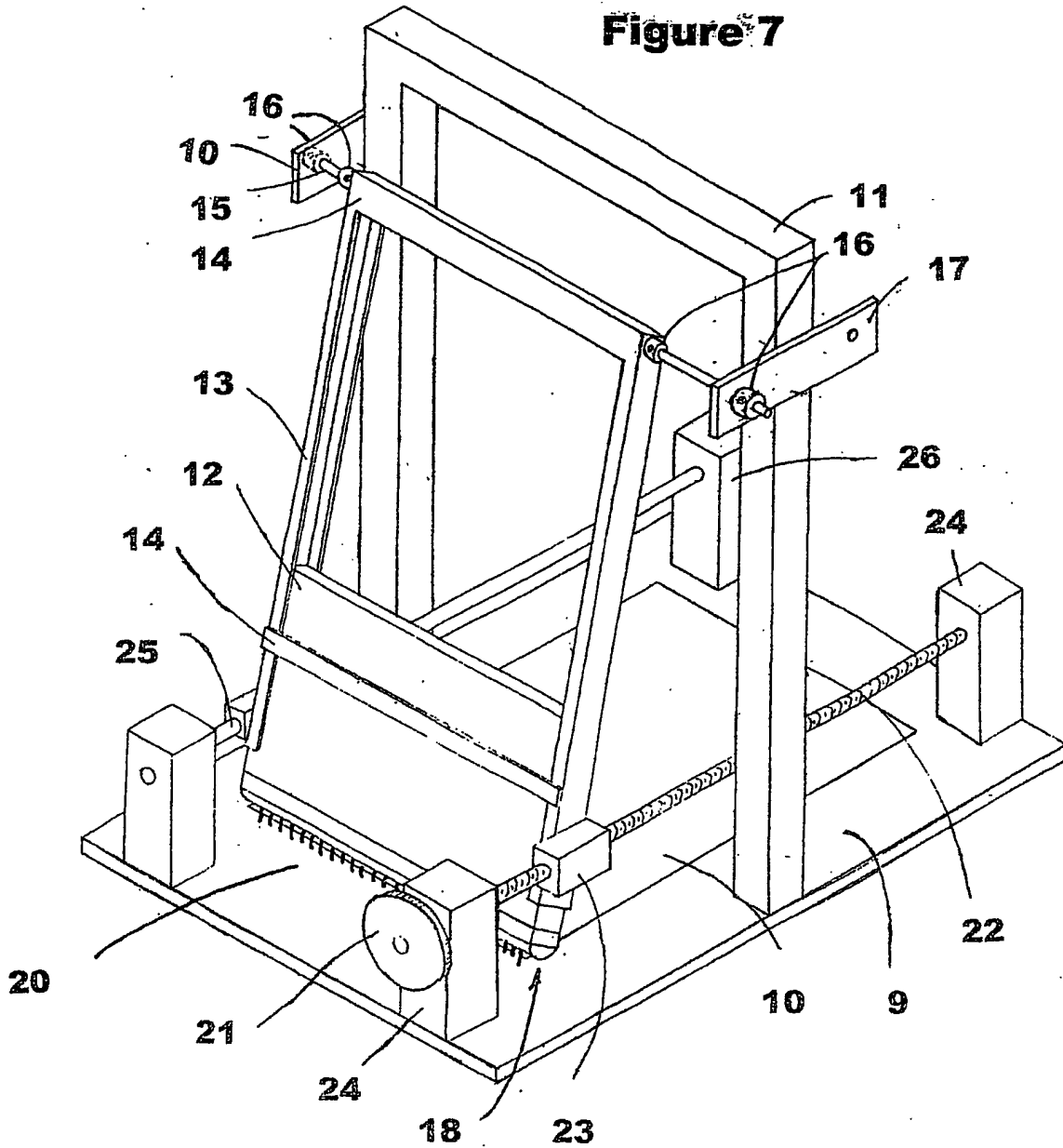


Figure 8

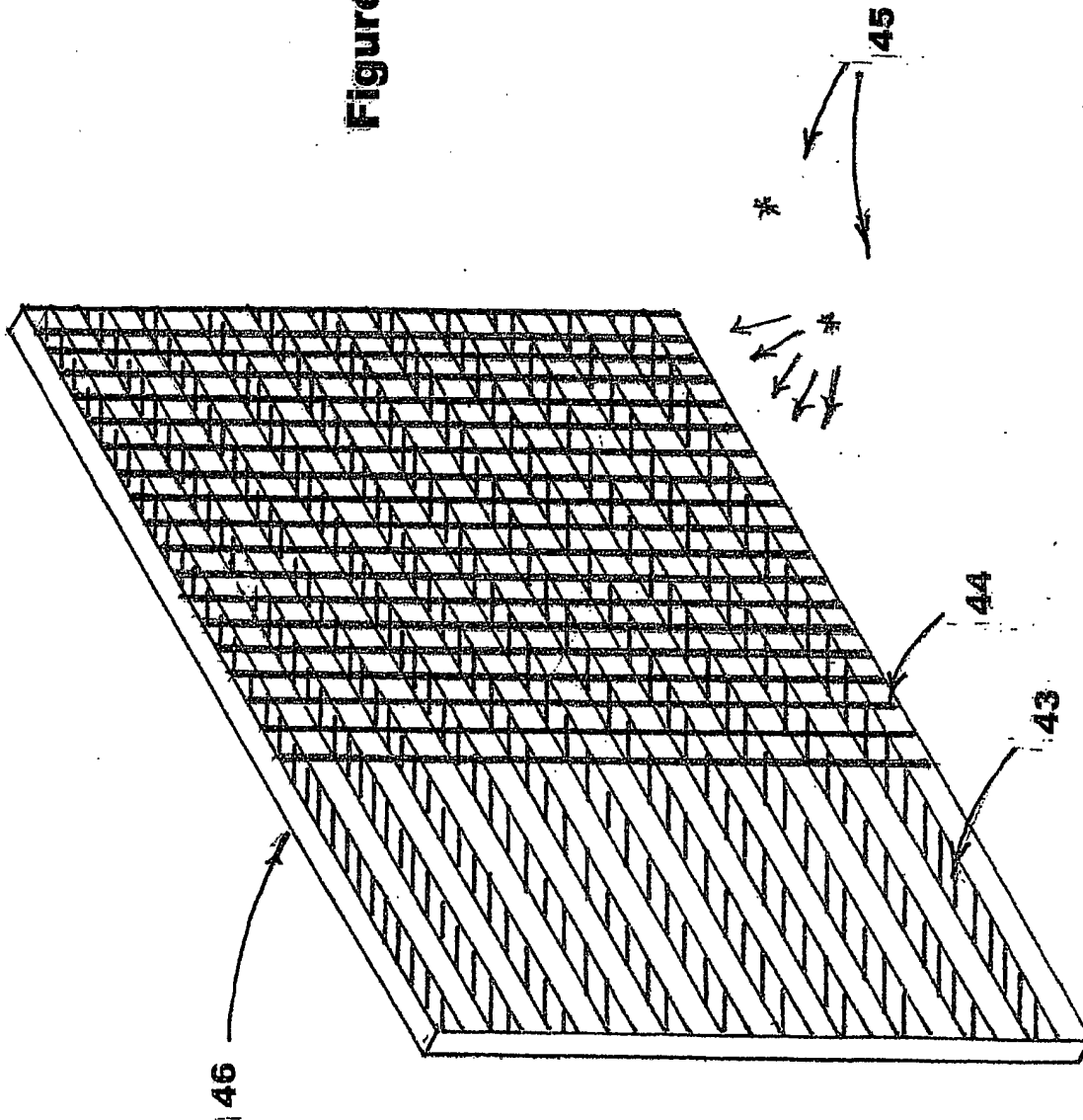
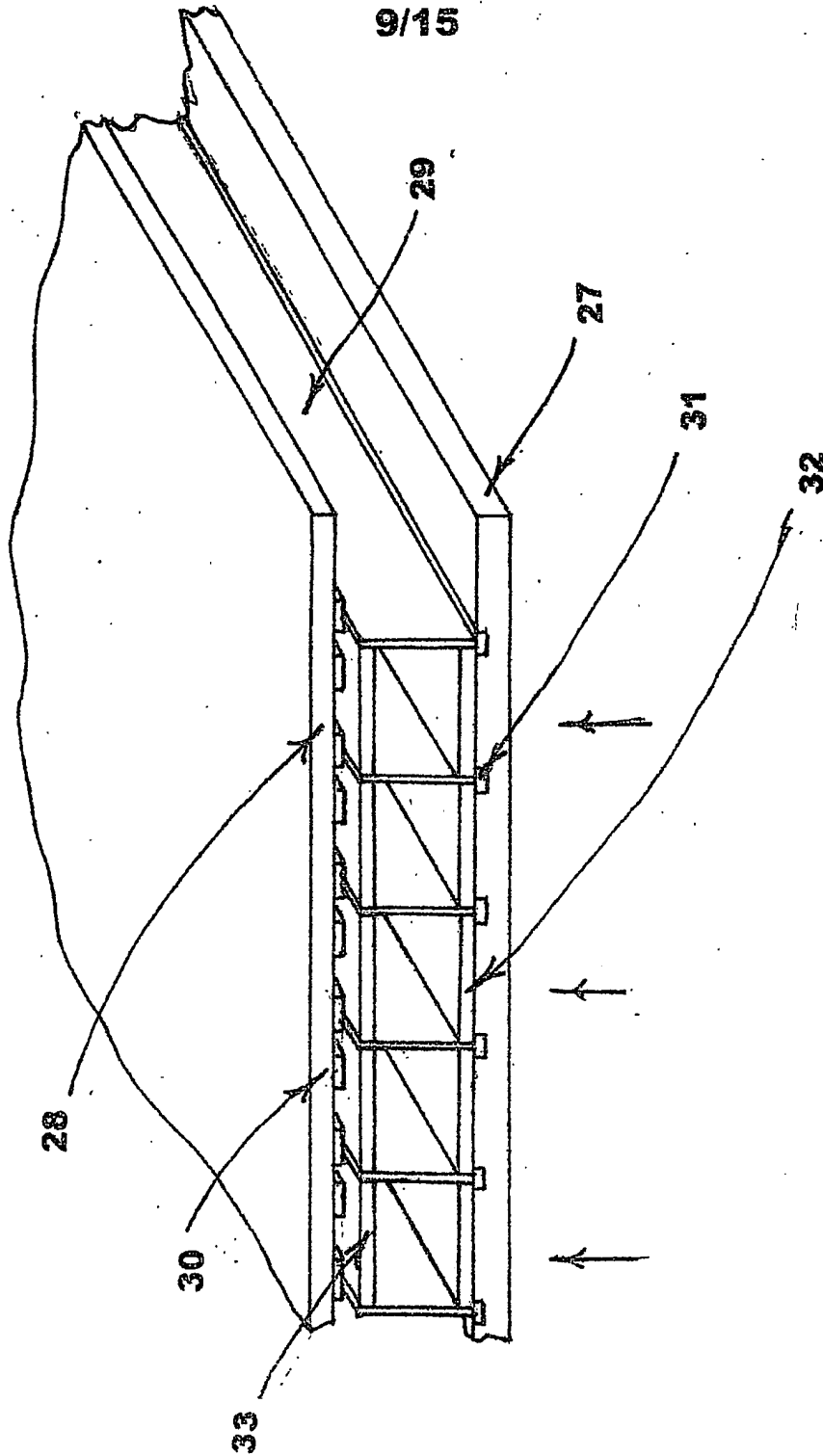




Figure 9



10/15

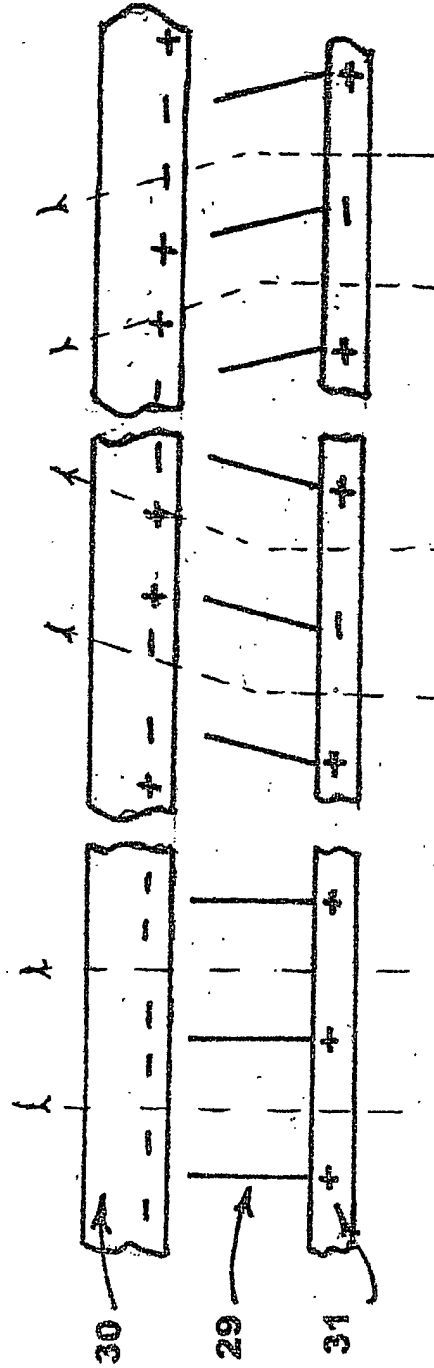


Figure 10

11/15

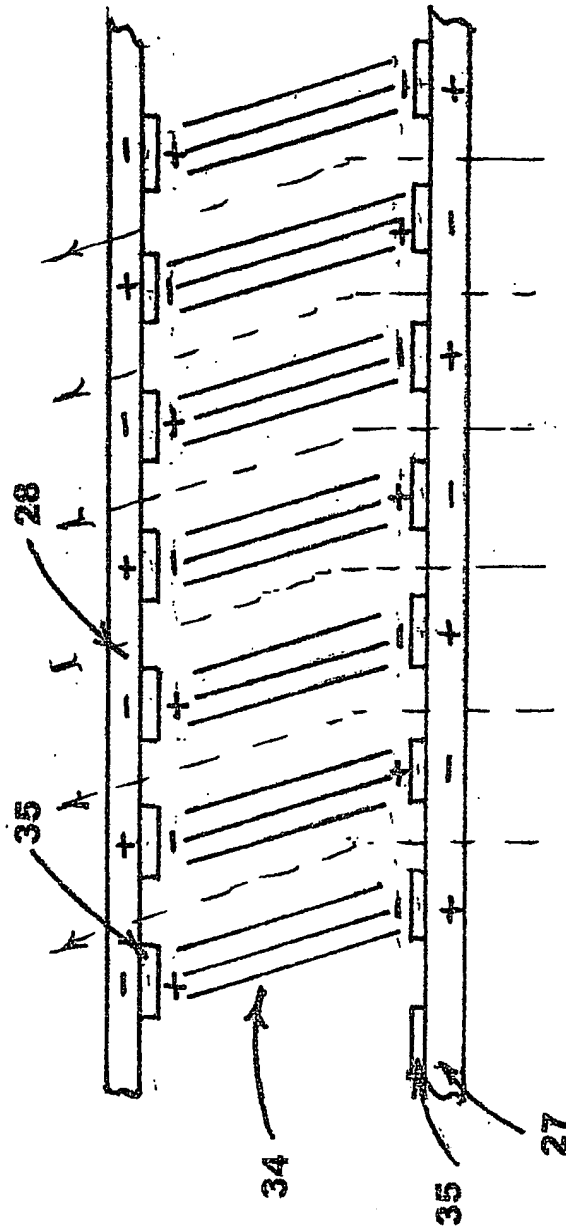


Figure 11

12/15

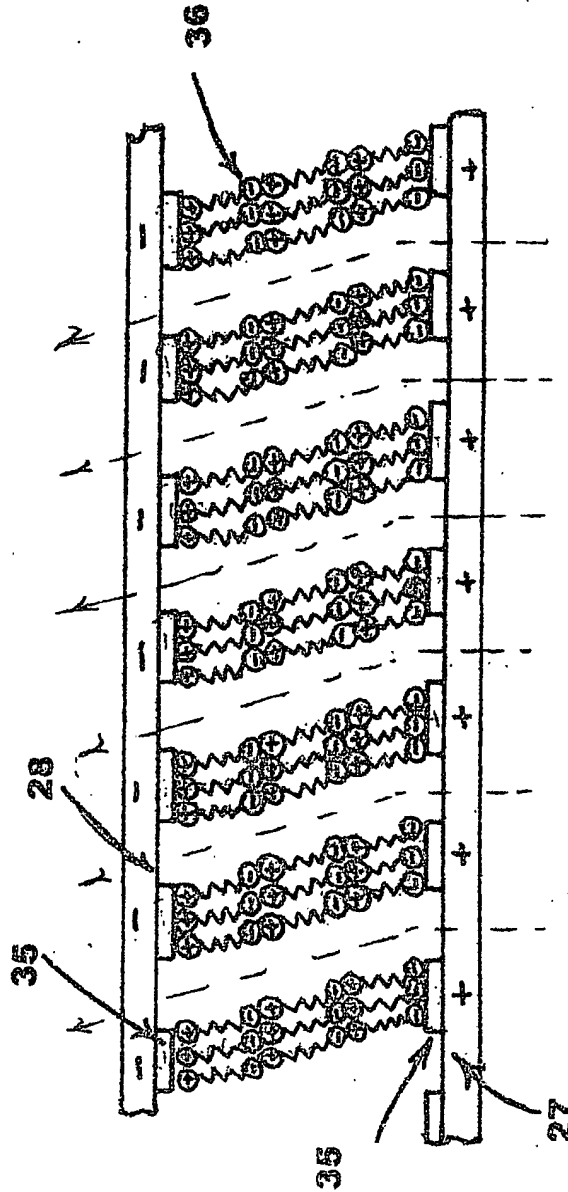
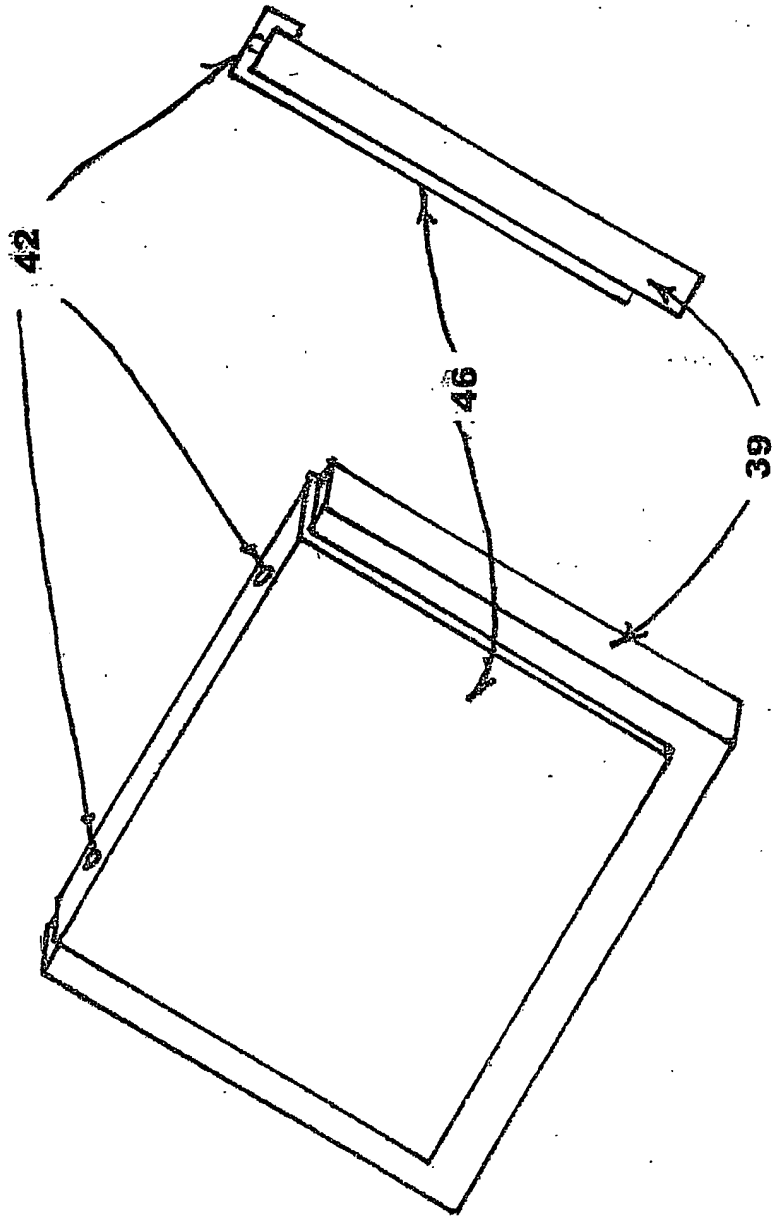


Figure 12

13/15

Figure 13



14/15

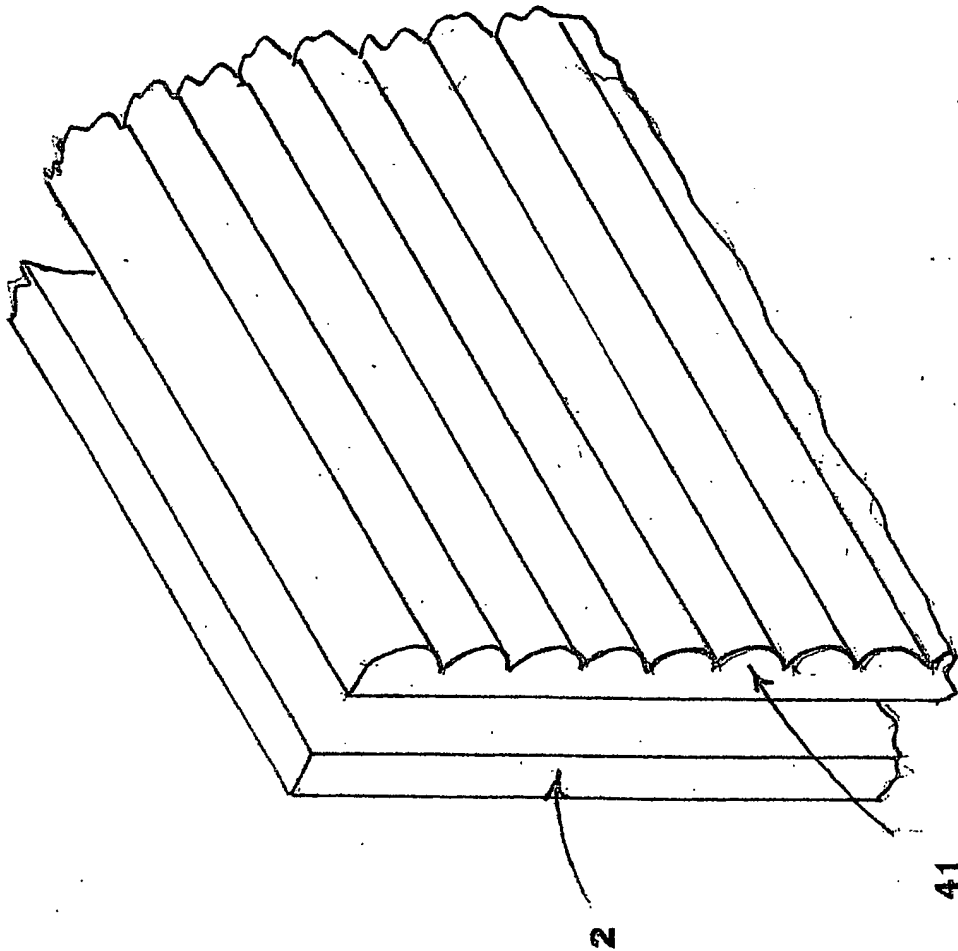
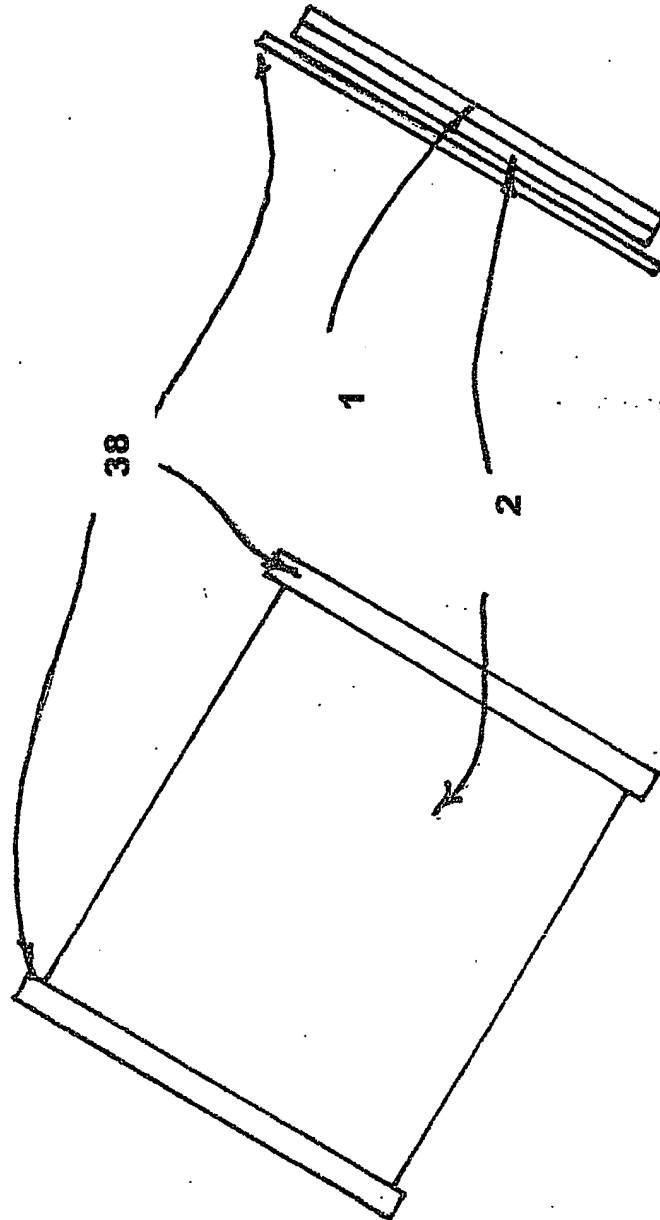


Figure 14

15/15

Figure 15



**This Page is Inserted by IFW Indexing and Scanning  
Operations and is not part of the Official Record**

**BEST AVAILABLE IMAGES**

Defective images within this document are accurate representations of the original documents submitted by the applicant.

Defects in the images include but are not limited to the items checked:

- BLACK BORDERS
- IMAGE CUT OFF AT TOP, BOTTOM OR SIDES
- FADED TEXT OR DRAWING
- BLURRED OR ILLEGIBLE TEXT OR DRAWING
- SKEWED/SLANTED IMAGES
- COLOR OR BLACK AND WHITE PHOTOGRAPHS
- GRAY SCALE DOCUMENTS
- LINES OR MARKS ON ORIGINAL DOCUMENT
- REFERENCE(S) OR EXHIBIT(S) SUBMITTED ARE POOR QUALITY
- OTHER: \_\_\_\_\_

**IMAGES ARE BEST AVAILABLE COPY.**

**As rescanning these documents will not correct the image problems checked, please do not report these problems to the IFW Image Problem Mailbox.**